

MAAW

MOBILE ACOUSTIC WALLS



MOBILE ACOUSTIC WALLS

TABLE OF CONTENTS



TIME OF CREATIVE SOLUTIONS / 4-7



EXPERIENCE MATTERS / 8-11



SOUND INSULATION AND FIRE RESISTANCE / 12-15



IDEAL SOLUTIONS FOR ARCHITECTS / 28-37



PARKING OPTIONS / 38-39



TRACK MOUNTING / 40-41



FUNCTIONALITY AND AESTHETICS / 16-19



EASY HANDLING WITH ELECTRIC SYSTEM / 20-23



TRANSPARENCY AND ELEGANCE / 24-27



DURABLE CONSTRUCTION / 42-43



PRECISION IN DETAIL / 44-45

	MAW110	MAW100	MAW48
Panel thickness	110 mm	110 mm	48 mm
Sound insulation	Rw = 41 dB (+3dB)	-	-
Wall height	Limited only by the building structure (Standard panel to 6000 mm)	Limited only by the building structure (Standard panel to 6000 mm)	2000-2800 mm
Panel width for the 1-point suspension	500-1100 mm	500-1100 mm	500-1100 mm
Panel width for a 2-point suspension	700-1300 mm	700-1300 mm	700-1300 mm
Filling	material to a thickness of 18 mm	material to a thickness of 18 mm and 24 mm combined glass	tempered glass with a thickness of 16 or 12 mm
Suspension system	1-point or 2-point	1-point or 2-point	2-point
Door	door panel, single or double	door panel, single or double	door panel, single or double
Handling	Manual or automated swing	Manual or automated swing	Manual
Panel weight without filling (system)	10,58 kg/m ²	14,62 kg/m ²	5,82 kg/m ²
Panel weight with basic filling	33,92 kg/m ²	41,76 kg/m ²	29,87 kg/m ²
The qualification reports on reaction to fire acc. to EN 13654 + A1:2018	042-40	042-40	-

TECHNICAL SPECIFICATIONS, CERTIFICATES / 46-47

TIME FOR CREATIVE SOLUTIONS

Carrying out a business requires flexibility. More and more often, there is a need to change a room by adapting it towards better functionality and profitability. The answer to these needs are KOMANDOR mobile walls. In the case of glass walls, either the flow of light or complete discretion may be required, both objectives can be achieved by separating the space and choosing the appropriate panel properties. KOMANDOR walls enable the implementation of many independent projects at the same time and place. They are a guarantee of safety and modern style.

KOMANDOR mobile acoustic walls also provide the possibility of zone separation without limiting the rooms spaciousness. Top-quality panels and glass in any color perfectly complements the style of any interior, giving it chic and elegance.

We offer modern, sophisticated solutions for separation of any space at very attractive prices. We combine timeless design with the flexibility of surface adaption and functionality of use. Modification of rooms and adapting rooms, re-opening or separating zones, has never been as easy as with KOMANDOR mobile acoustic wall systems.







KOMANDOR MAW110 - UNIVERSITY LECTURE HALL



EXPERIENCE MATTERS

KOMANDOR, world's expert in interior furnishing, draws its inspiration from years of experience in cooperation with individual customers, architects, institutions and businesses.

25 years of presence on the market (currently in more than 50 countries on all continents) made it possible to build and strengthen the brand based on quality and trust. Thanks to such developed relationships, it was possible to fully identify the market need and consequently, to create a product that meets the most demanding expectations.

KOMANDOR offers individual solutions tailored to diverse needs of customers. Thanks to our systems of mobile walls, the space in hotels, houses and apartments can be arranged in interesting ways and the functionality of company buildings can be improved.

KOMANDOR introduces a higher level of aesthetics and safety. We provide a multitude of required solutions for a chosen space, keeping in mind working comfort and relaxation. Based on proven technologies and a wide range of finishing materials we add a new dimension to modern design.





SALA 3



KOMANDOR MAW48 - OFFICE



KOMANDOR MAW110 - CONFERENCE ROOM

SOUND INSULATION AND FIRE RESISTANCE

Achieving the highest technical parameters of the products is an absolute priority for KOMANDOR. As a global expert in interior furnishing, we are a role model in this field for many years. The source of our success comes from our constant work to improve our products and pursuit of perfection in each structural element.

In a modern office, conference room or hotel, one of the main required properties of the partition wall is its sound insulation. Our product, thanks to its unique parameters, is the ideal solution to divide rooms which must be used in silence, so that no noise is heard from the outside..

Designing the interior of the buildings, we must absolutely remember about the safety of people who will use them. Constantly tightening requirements dictate the use of a certain fire resistant solution. To meet these challenges, we offer a product with a very high safety standard.

Technical parameters of our products has been confirmed by certificates of quality.



ADVANTAGES OF MAW110

- sound insulation <53 dB certified by ITB
- very high fire resistance, depending on the application
- 2-point and 1-point suspension of the panel, allowing the installation of walls with custom parking
- wall height limited only by the requirements of the building construction
- amazing visual characteristics, thanks to the full range of available finishing materials
- easy room partition, thanks to the use of proven solutions





KOMANDOR MAW110 - LECTURE HALL



KOMANDOR MAW110 - LECTURE HALL

FUNCTIONALITY AND AESTHETICS

Mobile walls have a great advantage of achieving a buildings highest functionality while improving their aesthetics. The fulfillment of these criteria creates ideal work conditions and a stylish interior.

Our solution combines the best features of solid and glass panels, creating a very attractive proposition for any designer from the functionality and aesthetics point of view.

The glass panels of MAW 110G allow you to combine the advantages of sound insulation and transparency of the room partition. Narrow 15 cm side frames and expanding mechanism placement at the edges of the panel provide a very large surface of the glass in the wall. Thanks to that, we obtain adequate light flow between rooms and full visibility of what happens behind the wall without penetration of noise.



ADVANTAGES OF MAW110G

- narrow side frame <15cm in the panel of 130cm width
- combination of glass transparency and sound insulation
- unlimited frame colours, adapted to the room aesthetics
- can be combined with solid panels



KOMANDOR MAW110G - OFFICE



KOMANDOR MAW110G - OFFICE

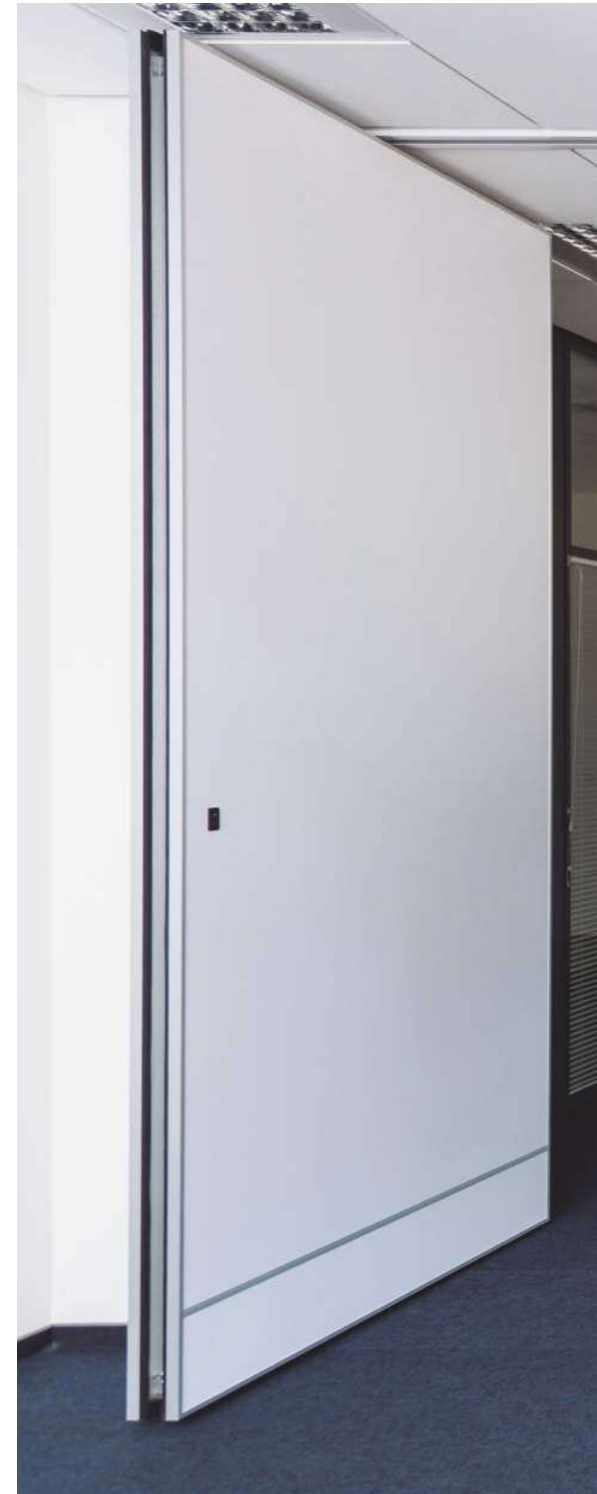
EASY HANDLING ELECTRIC SYSTEM

Mobile walls are not only a practical solution, but also easy to handle. Selecting a product with an automated sealing system, we provide users faster handling, and thus efficient rearrangement of the rooms.

The automated electrical sealing system was designed for companies and individuals who want to save time and energy during cyclic, routine division of rooms. It affects the comfort and easy of use of these walls.

If you frequently need to change the arrangement of the rooms, an automated mechanism is an indispensable solution which simplifies this operation. Instead of manual sealing of the wall panel, you simply press the button.

Installation of the system does not affect the appearance of the wall and its aesthetics because the electric actuator is placed inside of the panel.



ADVANTAGES OF MAW110E

- doesn't need a mechanical junction of the wall
- automatic docking of wall panel after pressing the button
- button is mounted on a side edge of the panel without affecting its aesthetics
- can be applied both in solid and glazed panels
- provides a very fast and accurate arrangement of the room





KOMANDOR MAW110E - OFFICE



KOMANDOR MAW110E

TRANSPARENCY AND ELEGANCE

Glass mobile walls is a product which gives the interior the impression of lightness and elegance. It transmits natural light and visually enlarges the room space. This is an option for those who put emphasis on solutions which are not only functional, but also elegant.

Wherever we want to get the effect of transparency and elegance with easy divisions of interiors equally important, the use of KOMANDOR glass mobile walls is the ideal solution.

If our choice is to divide the room with glass walls, we do not need to fix them permanently. Much more preferred choice is a mobile wall, allowing a complete removal of the room division at any time. This flexibility can be useful for example in exhibition sites and shopping malls, where full access to its interior is needed temporarily or in places where glass walls provide the spaciousness, and mobility allows you to rearrange the space quickly.





ADVANTAGES OF MAW48

- spectacular visual effect, with the possibility of quick rearrangement of divided spaces
- light wall made of ESG tempered glass with thickness of 10 or 12 mm
- 2 types of mounting systems: compact carriage and narrow track for smaller walls or standard system with maximum resistance
- ability to install electronic locks and doors in required place of the wall



KOMANDOR MAW48 – SHOP EXPOSITION



KOMANDOR MAW48 - PRIVATE APARTMENT

IDEAL SOLUTION FOR ARCHITECTS

For the most demanding architects we have developed products that give interiors a modern character, both in visual and functional ranges.

An unlimited range of fillings and finishing materials, combined with the attention to the smallest detail, developed for many years of use, is important in every project.

Many variants of parking systems and track connections, tailored to the individual customer's requirements, enable the expected space division and at the expected time.

As a confirmation of the highest quality we have obtained hygienic certificates from PZH (National Hygiene Institute) and ITB (Building Research Institute) certificates which prove very high sound insulation and fire resistance of our products, thus guaranteeing the suitability of our solution in any type of building.

Our products will be suitable especially in conference centers, hotels, banquet rooms, wedding houses, restaurants, office buildings, shopping centers, universities, schools, kindergartens, health care facilities, homes and private apartments.







KOMANDOR MAW110 - OFFICE



KOMANDOR MAW110 AND MAW48 - CONFERENCE ROOM



KOMANDOR MAW110 - CONFERENCE ROOM



KOMANDOR MAW110 - BANQUET HALL



KOMANDOR MAW110 – LECTURE HALL



KOMANDOR MAW110 – LECTURE HALL



KOMANDOR MAW48 - PRIVATE APARTMENT



KOMANDOR MAW110 - PRIVATE APARTMENT

PARKING OPTIONS

Appearance and usable space of the room are equally important before and after the installation of the partition wall, so that the place and the method of parking are key factors. Parked walls cannot interfere in the use of the room. The number of options will allow one to choose the right solution for your location, and will eventually decide on the customers satisfaction.

One-point suspension of the mobile wall panels enables you to park it in small rooms there is no space for a separate parking slot and in buildings where it is technically impossible to install a standard parking system.

Our services guarantee finding a place for a parked wall, even in a small space. The possibility to combine different types of parking systems allows you to implement a suitable variant for the architecture of the selected room. Customers will appreciate the practicality of offered solutions during long-term use of the interior space, and a wide variety of options will help them achieve full satisfaction.

PARALLEL
PARKING WITH SHIFT



PARKING IN THE TRACK
WITH 2-POINT SUSPENSION



PARKING IN
THE 1-LEVEL TRACK



PARKING IN RECESS
IN TWO AXES



OBLIQUE PARKING
IN THE RECESS



PARALLEL PARKING NEXT
TO THE TRACK



PARKING AT WALL
IN PERPEDICULAR RAIL

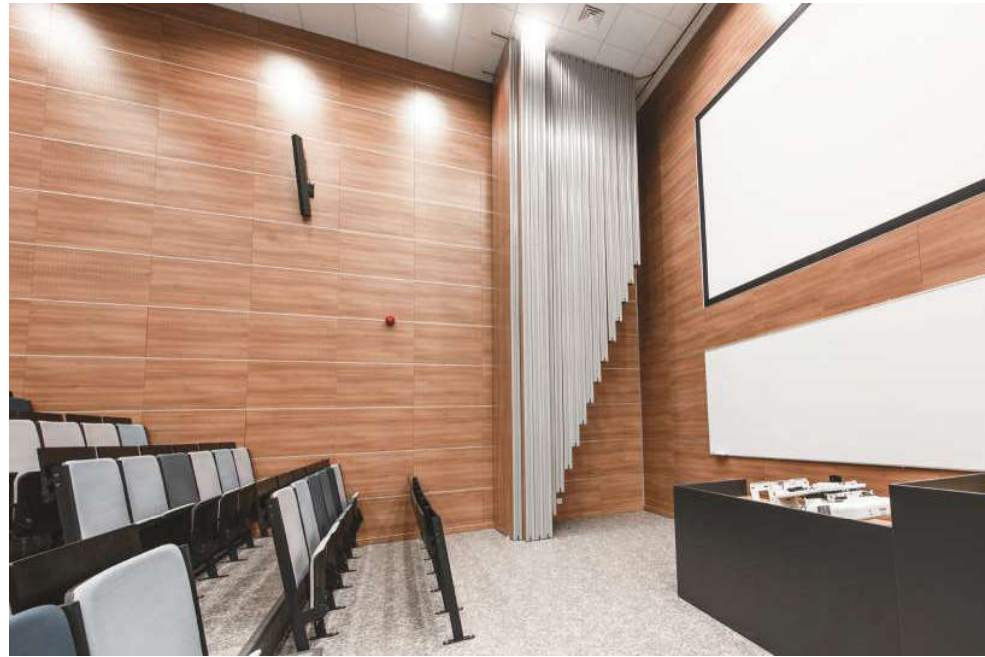


PARKING IN TRACK WITH
1-POINT SUSPENSION



PARKING IN THE RECESS





TRACK MOUNTING

MOUNTING TO I-BEAM



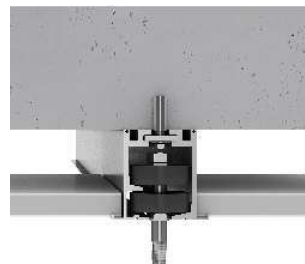
MOUNTING ON STANDARD PINS



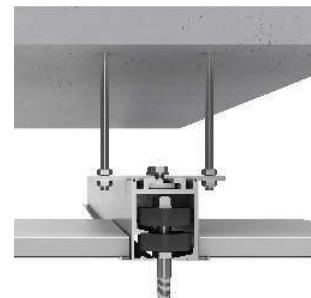
MOUNTING ON PINS
AND STRENGTHENED FRAME



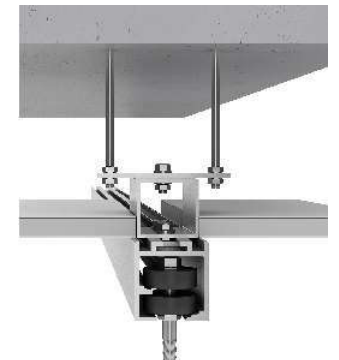
MOUNTING TO CEILING



MOUNTING ON PINS TO
THE SUSPENDED CEILING



MOUNTING WITH INTERMEDIATE
ELEMENT



Installing of the mobile wall requires the fastening of the aluminum track to a ceiling, in which the wall can move. Proper mounting is possible thanks to many prepared solutions, which can be individually modified, depending on the design of a building and weight of the wall.

If you want the wall to move failure-free, perfectly leveled construction must be installed to the ceiling to maintain the required capacity.

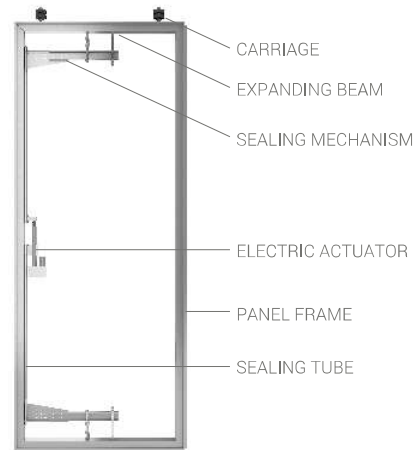
Proper track installation will help to improve the aesthetic qualities of the room, masking the visibility of any unwanted elements that could adversely affect the visual perception of the interior.



TRACK MOUNTING

DURABLE CONSTRUCTION

SCHEME OF MAW110E PANEL



MAW110 - SOLID MODULE WITH DOOR MOUNTED TO WALL



Resilience of KOMANDOR products are known internationally due to our long-term presence and thanks to the strength of our product offering. Our reputation and experience while operating successfully in over 50 countries on all continents for over 20 years guarantees our excellence.

Stability of the aluminum wall construction and individual components was a priority for our engineers. In order to get the best real technical parameters, every single element has been created by original designs with great care and precision.

MAW48 - GLASS MODULE WITH DOOR



MAW110 - SOLID MODULE WITH DOOR



MAW110 - SOLID MODULE WITH DOUBLE DOOR





KOMANDOR MAW110E - SOLID MODULE WITH DOOR

PRECISION IN DETAIL

An invaluable asset of our company is a team of designers and engineers with a very high level of practical knowledge gained during the creation of the original KOMANDOR furniture systems. All components of our mobile walls have been very carefully designed, built and tested in order to obtain a product distinctive with its quality having great importance for long-term use.

Precision in production of every detail has a direct impact on comfort of use. Appropriate carriages determine a quiet and easy moving of even the biggest walls. The construction of the sealing mechanism directly affects sound insulation and stability of the mounted wall.

Our products are the result of many years of available solutions analysis in connection with the expectations of customers and a summary of experience in cooperation with business partners around the world.

MAW48 IN 2-LEVEL TRACK



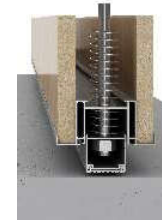
MAW48 IN 1-LEVEL TRACK



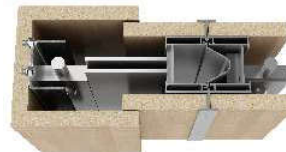
MAW110 TOP EXPANDER



MAW110 BOTTOM EXPANDER



MAW110 END NODE CONNECTION WITH A PANEL



MAW110 STARTING NODE CONNECTION WITH A PANEL

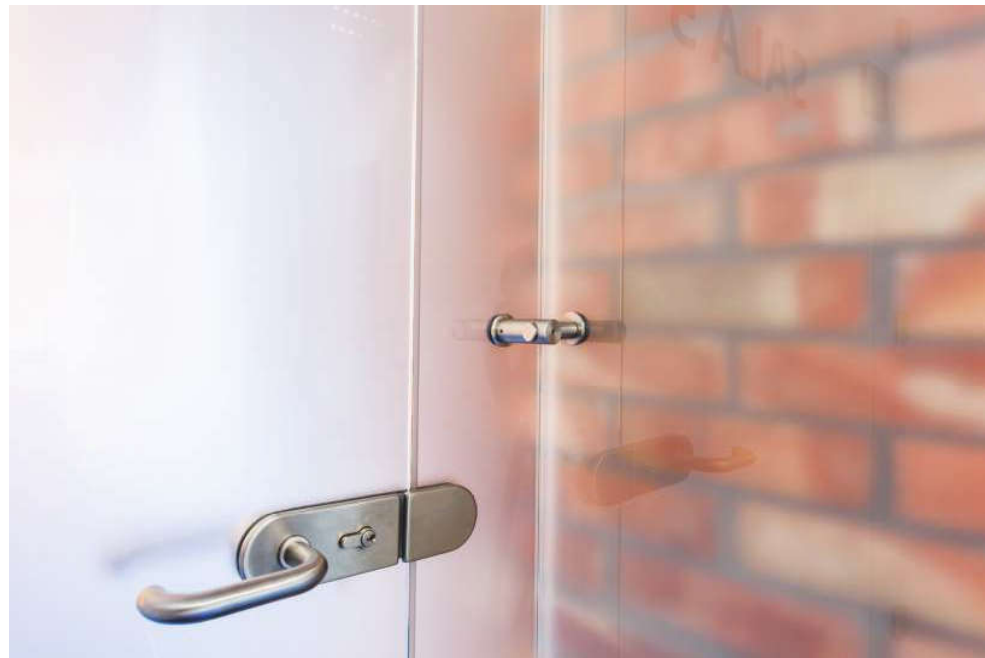


MAW110 VERTICAL SECTION - UPPER PART



MAW110 VERTICAL SECTION - LOWER PART





PRECISION IN DETAIL

TECHNICAL SPECIFICATIONS

	MAW110	MAW110G	MAW48
Panel thickness	110 mm	110 mm	48 mm
Sound insulation	Rw = 41 dB - 53dB	-	-
Wall height	limited only by the building structure (Standard panel to 6000 mm)	limited only by the building structure (Standard panel to 6000 mm)	2000 - 3680 mm
Panel width for the 1 point suspension	500 - 1100 mm	500 - 1100 mm	500 - 1100 mm
Panel width for a 2-point suspension	700 - 1300 mm	700 - 1300 mm	700 - 1300 mm
Filling	all materials to a thickness of 18 mm	all materials to a thickness of 18 mm and 24 mm combined glass	tempered glass with a thickness of 10 or 12 mm
Suspension system	1-point or 2-point	1-point or 2-point	2-point
Door	door panel, single or double	door panel, single or double	door panel, single or double
Handling	Manual or automated sealing	Manual or automated sealing	Manual
Panel weight without filling (system)	10,58 kg/m ²	14,62 kg/m ²	5,82 kg/m ²
Panel weight with basic filling	33,92 kg/m ²	41,75 kg/m ²	29,57 kg/m ²
The qualification report on reaction to fire acc. to PN-EN 13501-1 + A1: 2010	B-S2, d0	B-S2, d0	-

CERTIFICATES AND STUDIES

1. Quality Certification ISO 9001: 2008 issued by DEKRA Certification
2. Report of ITB on acoustic insulation of the mobile wall MAW110.
Report No. LA00-0992 / 16 / Z00NA on acoustic insulation of the mobile wall MAW110 (49dB, 53dB)
3. Report of the ITB on reaction to fire:
 - Fire spreading classification for mobile wall MAW110G
 - Classification report No. 2917.2 / 15 / Z00NP on reaction to fire of the mobile wall MAW110
 - Report no. LP01-2917 / 15 / Z00NP on wall MAW (charts)
 - Report no. LP02-2917 / 15 / Z00NP on wall MAW (results)
4. PZH hygienic certificate for mobile wall MAW

Inner resistance tests:

- Resistance tests report No. SK / 1/2015 / S34
- refers to the connection of mounting bracket 34-5010 with main profile 34-0300
- Resistance tests report No. SK / 2/2015 / S34
- refers to the aluminum carriage 34-0510 without slings and the two-level track 34-0120
- Resistance tests report No. SK / 3/2015 / S34
- refers to sling 34-0510 without the carriage and the profile of the clamp of glass 120 al.34 part. A 34-0410 and profile of the clamp of glass 120 al. 34 parts. B 34-0420
- Resistance tests report No. SK / 4/2015 / S34
- refers to the holder of the carriage 34-0500 and the main profile 34-0300



1



2



3



4